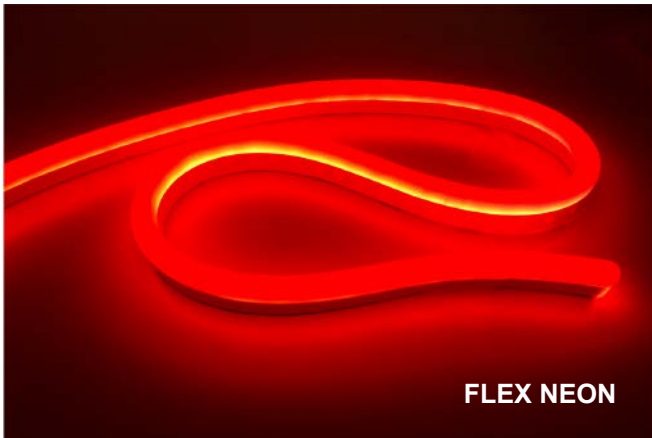


PROJECT	DATE
TYPE	QTY

**Mini LED Neon Flexible Lightbar**



**DESCRIPTION:**

Impact Lighting's **MINI FLEX LED Neon™ Series** for the first time can now be viewed as direct replacement to traditional glass Neon.

The increased lumen output is a direct result of using high quality materials, high brightness LEDs coupled with an enhanced PVC mixture used in the main housing extrusion process. This optical gain enhancing PVC increases homogenization of the light effect which translates the maximum amount of lumens consistently delivered to the surface of the **MINI FLEX LED Neon™ Series**.

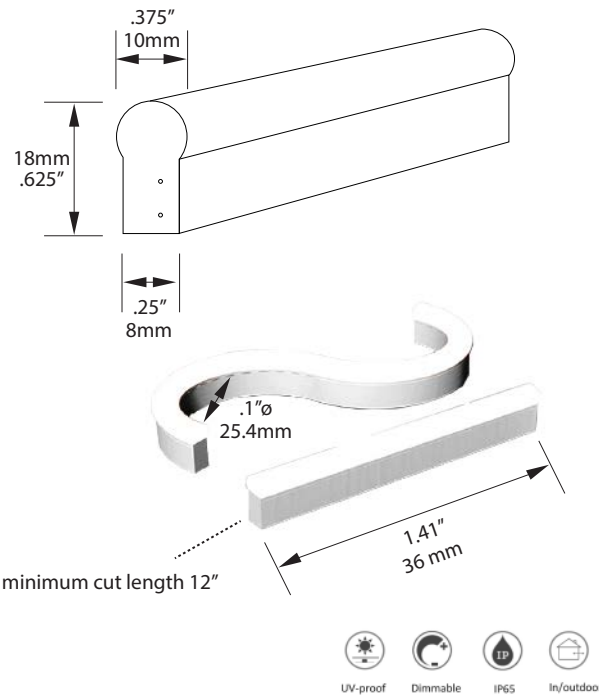
In comparison to white glass neon, the luminous efficacy of white achieves an equivalent brightness of 19.88Lm/W while using 5 times less energy. The Lumens efficiency and power consumption of the primary colors red, green, blue, Orange and yellow **MINI FLEX LED Neon™ Series** are significantly comparable to glass neon as well.

**FEATURES:**

- Uniform light, no dark spots
- Super flexible & bendable
- 10mm domed top with 240° beam angle
- Pure copper @ 0.75m<sup>2</sup> measure
- Light source : 2835 SMD LED (0.2W/LED) – Super Bright
- Eco-friendly PVC materials
- UV resistant
- Salwater resistant
- Solvent resistant
- 2-year warranty

**SPECIFICATIONS**

MODEL	IL-FNM-24V
Power	9W/m
Input Volt	12VDC
Cut Length	1.41" (36mm )
Cutting Intervals	Every 3 LED's
Size	.31"x .71" (8mm x 18mm)
Light Source	2835 SMD LED
LED QTY	84 LED/M
Beam Angle	240°
LED Colors	8 LED Color Options
Standard PVC Skin	Milky White Skin
Skin	5 Skin Color Options
Bend Radius	R 1" (25.4mm) (horizontal bend)
Operating Temp	0° - +45°C
Ambient Temp.	-20° - 45°C



**ORDERING Example:** IL-MFLN - RMWS Mini Flex Led Neon with Red Led and Milky White Cover (shown in image above)

MODEL	LED
IL-MFLN	

Mini Flex  
LED Neon Series

- RMWS** - Red LED with Milky White Skin
- RRS** - Red LED with Red Skin
- BMWS** - Blue LED with Milky White Skin
- BBS** - Blue LED with Blue Skin
- YMWS** - Yellow LED with Milky White Skin
- YYS** - Yellow LED with Orange Skin
- OMWS** - Orange LED with Milky White Skin
- OOS** - Orange LED with Orange Skin
- GMWS** - Green LED with Milky White Skin
- GGS** - Green LED with Green Skin

- WWMWS** - Warm White LED with Milky White Skin
- CWMWS** - Cool White LED with Milky White Skin
- NWMWS** - Natural White LED with Milky White Skin

**IMPACT LIGHTING**

2101 West Central Blvd. Orlando, Florida 32805 USA • Phone: 1.800.507.5714 • Email: sales@impactlightinginc.com

[www.impactlightinginc.com](http://www.impactlightinginc.com)