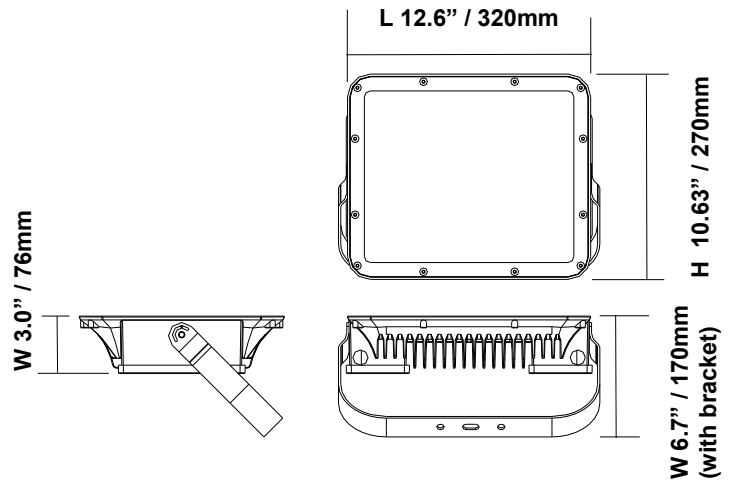


AGENT: _____
 PROJECT: _____
 TYPE: _____
 QUANTITY: _____
 Rev: 1110 Copyright © 2010 Impact Lighting Inc.

IMPACT'S HIGH OUTPUT WALL WASHER - RGB

IP65



DESCRIPTION

Impact's High Output WALL WASHER is powerful and energy efficient RGB LED based wall wash fixture incorporating 48 - 1 watt RGB power LED's for a full 16.7 million true and 24 bit color mixing ability. The Impact HO Wall Washer can be operated as a single stand-alone fixture or in a multiple master/slave configuration with built-in pre-programmed color changing effects. It is also fully DMX compatible for custom color programming capability. With an Aluminum Die Cast housing and heat treated glass aperture the Impact HO Wall Washer is rated IP65 for outdoor use.

SPECIFICATIONS

- Construction:** Die Cast Powder Coated Aluminum
4mm Heat Treated Glass
- Lumen Output:** 2900 Lumens
- Lamp Life:** 50,000 Hours
- Optics:** 10 Degrees / 30 Degrees
- Light Projection Distance:** 50-65 Ft / 15-20m
- Voltage:** 100-240VAC 50/60Hz (switchable Power Supply)
- Operating Current:** 0.5Amps@120V / 0.2Amps@220V
- Power Consumption:** 48 watts , 52 Watts max power
- Control System:** On-board Programs / DMX compatible
- Weight:** 12.3 Lbs / 5.6kg
- Dimensions:** L12.6" H 10.63" W 3.0" (320x270x76)
- Operational Environment:** -4F to 104F (-20C to 40C)
10-90% Humidity
- Listings:** ETL / CE
- Ratings:** IP65
- Warranty:** 2 Years



ORDERING LOGIC

MODEL BEAM SPREAD

IL-WWHO

IL-WWHO **10 - 10 degrees**
 High Output **30 - 30 degrees**
 Wall Washer