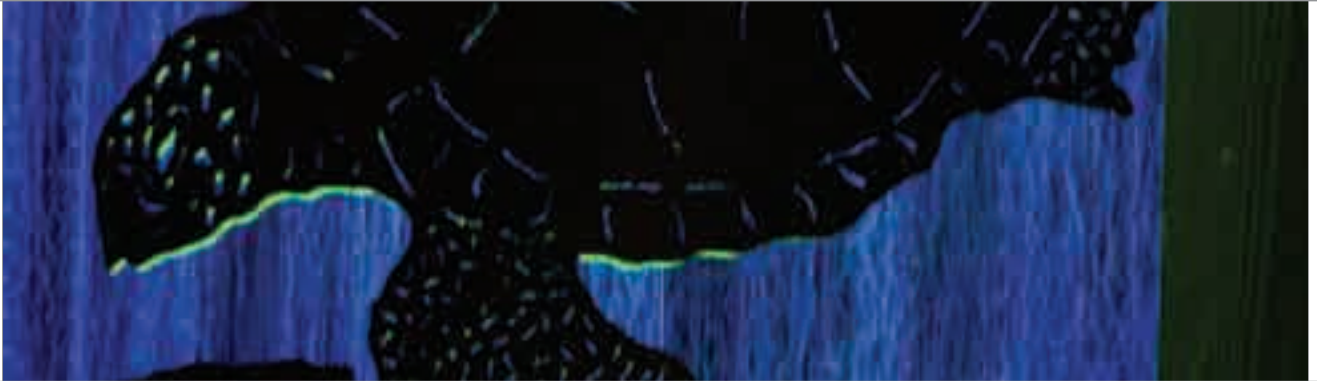


PRODUCTS: CONTROLLERS



CONTROLLERS



2 BUTTON MODE CHANGING RGB CONTROLLER
12 MODES COLOR CHANGING CONTROLLER
USING ON/OFF TECHNOLOGY INPUT VOLTAGE: 12V AC
OUTPUT VOLTAGE 12V DC
SIZES: 4.5" X 3.5" X 1.5"
WEIGHT: 1 LBS
ITEM#: IL-2B-RGB-C



RECEIVER AND TRANSMITTER RGB CONTROLLER
INPUT VOLTAGE: 12V AC
OUTPUT VOLTAGE 12V DC
RECEIVER SIZE: 4" X 2.5" X 1" TRANSMITTER SIZE: 3.5" X 1.5" X 0.5"
*SEE POWER SUPPLY FOR MORE DETAILS.
ITEM#: IL-RMT-RGB-C



RGB AMPLIFIER USED WITH IL-RMT-RGB-C
INPUT VOLTAGE: 12V AC
OUTPUT VOLTAGE 12V DC
RECEIVER SIZE: 2.24" X 3.25" X 1" TRANSMITTER SIZE: 3.5" X 1.5" X 0.5"
*SEE POWER SUPPLY FOR MORE DETAILS.
ITEM#: IL-RMT-RGB-AMP



SIMPLE WALL MOUNT RGB CONTROLLER
- CHANGE AND MIX COLORS USING MANUAL SWITCHES.
- INPUT VOLTAGE: 12V DC
- SIZES: 4" X 2.5"
ITEM#: IL-SWMC-RGB

DECODERS



DMX 512 DECODER, 3 DMX ADDRESS 6A
IMPACT LIGHTING'S LED DMX 512 DECODERS ADOPT ADVANCED MICROCHIP CONTROL TECHNIQUE AND CAN CONVERT DMX512/1990 DIGITAL SIGNAL INTO 256 GRADE POWER OUTPUT TO CONTROL AND DIM MANY DC LED LIGHTING FIXTURES.

LED DMX 512 DECODERS
256-GRADE STEPLESS DIMMING
IMPACT LIGHTING INC. LED DMX 512 DECODERS CAN CONVERT SIGNAL TO 256 GRADE DIMMING LEVELS, FROM 0 TO 100%, WHICH CAN MEET ANY PROJECT REQUEST.

HUMIDITY/MOISTURE RESISTANT
WITH IP64 PROTECTION DEGREE, ATG LED DMX 512 DECODER CAN OPERATE NORMALLY IN CLOUDY AND HUMID WEATHER CONDITIONS.

OVERLOAD PROTECTION
POWER CAPACITY CAN BE UP TO 100W(12VDC) OR 200W(24VDC) WHICH CAN MEET GENERAL APPLICATION. WITH OVERLOAD PROTECTION COMPONENT, IT WILL SWITCH OFF AUTOMATICALLY WHEN OVERDRIVEN.

SPECIFICATIONS:
SIZE: 2" X 1.5" X 2.25"
VOLTAGE: 12V
WEIGHT: 1LBS
ITEM#: IL-DMX-DECO-3C

CONTROLLERS



DMX 512 DECODER, 1 DMX ADDRESS 6A

FEATURES:

- SINGLE CHANNEL LED DIMMER
- IDEAL DRIVE FOR OUR AMBIENT GLOW STRIPS
- UP TO 6A OUTPUT
- START-DMX ADDRESS SETTING BY DIP-SWITCH
- DMX CONTROL MODE OR MANUAL MODE



SPECIFICATION:

POWER REQUIREMENT	12~24VDC, 6.5A MAX.
INPUT	2-PIN TERMINAL SOCKET FOR (DC POWER) AND 3-PIN TERMINAL SOCKET FOR (DMX IN)
OUTPUT	3-PIN TERMINAL SOCKET FOR (DMX OUT) AND 4-PIN TERMINAL SOCKET, LOADING MAX 6A
HOUSING	SHEET METAL BLACK POWDER FINISH
INGRESS PROTECTION RATING	IP20
CONTROL	DMX-512 (1990)
CONNECTION	TERMINAL
LISTING	CE CERTIFIED
OPERATION TEMPERATURE	-10 DEGC TO +50 DEGC
STORAGE TEMPERATURE	-20 DEGC TO +70 DEGC
DIMENSION	2.6"(L) X 1.5"(W) X 0.5"(H)INCHES
WEIGHT	0.33 LBS

ITEM #: IL-DMX-DECO-1C

RGB CONTROLLER AND DECODER COMBINATION

DMX 512 SECODER AND TRANSFORMER 12 VOLT 32 CHANNEL

FEATURES:

- 12 digit dipswitch for function setup
- Fade time, Speed & Program setup available
- 4 channels for RED, GREEN, BLUE and WHITE
- Standard DMX-512
- 7 built in Programs available
- White, Color & White, RGB modes

8pcs of 6pin terminal sockets 12V/6 A per output , total 12A max.
 8pcs of 6pin terminal sockets 15V/6 A per output , total 10A max.
 8pcs of 6pin terminal sockets 18V/6 A per output , total 8A max.
 8pcs of 6pin terminal sockets 24V/6 A per output , total 6A max.



SPECIFICATIONS:

POWER INPUT	3-PIN VDE/BS/IEC/UL PLUG 110-120VAC(3.2A) / 220-240VAC(1.6A), 50/60HZ.
POWER OUTPUT	8PCS OF 6-PIN TERMINAL SOCKETS, TOTAL 12V/12A; 15V/10A; 18V/8A; 24V/6A MAX.
DATA INPUT	DMX 512 OF 3-PIN XLR MALE SOCKET
DATA OUTPUT	DMX DATA OUT OF 3-PIN XLR FEMALE SOCKET
POWER SUPPLY	100-240VAC I/P, 24VDC O/P, 150W; LISTED UL, CE, GS
HOUSING	SHEET METAL BLACK POWDER FINISH
INGRESS PROTECTION RATING	IP20
CONTROL	DMX-512 (1990)
CONNECTION	6PIN TERMINAL
LISTING	CE CERTIFIED
OPERATION TEMPERATURE	-10 DEG C TO +50 DEG C
STORAGE TEMPERATURE	-20 DEG C TO +70 DEG C
DIMENSION	267.5(L) X 166(W) X 101(H)MM
WEIGHT	1.8KG

ITEM #: IL-DMX-DECO-32C

CONTROLLERS



DMX512 MULTIFUNCTIONAL RGB CONTROLLER WITH DMX SUPPORT

CAN BE USED TO CONTROL OUR RGB DEVICES, SUCH AS LED STRIPS, MODULES, ROPE LIGHTS, BORDER LIGHTS

SPECIFICATIONS:

120/240V AC,360/720W,IP66,L165XW120XH50 MM

FEATURES:

SUPPORT DMX-512 STANDARD PROTOCOL;

CAN CONTROL UP TO 3 SIGNAL OUTPUTS, SUCH AS RED, GREEN AND BLUE LED LIGHT SOURCES;

HAVE MORE THAN 30 EDITABLE RGB COLOR CHANGING PATTERNS, WITH MANUAL CONTROL BUTTON;

CAN WORK WITH A STANDARD DMX SIGNAL GENERATOR (DMX CONSOLE, PC WITH EFFECTS GENERATOR SOFTWARE) TO CREATE ENHANCED COLOR AND SOUND CHANGE EFFECTS;

EASY AND SIMPLE TO CREATE WORLD-CLASS COLOR/SOUND CHANGING EFFECTS WITH OUR RGB LED DEVICES, SUCH AS ROPES, BRICKS AND PANELS, MODULES, STRIPS, TILES AND MORE.

ITEM#: IL- DMX512-MFC



IMPACT LIGHTING INC. STAND ALONE DMX CONTROLLER

CONTROL YOUR LIGHTS WITHOUT ANY COMPUTER

DESIGNED PRIMARILY FOR ARCHITECTURAL APPLICATIONS, OUR EASY STAND ALONE SOFTWARE MAKES IT POSSIBLE TO WRITE LIGHTING SCENES INTO THE MEMORY OF OUR DMX PRODUCT LINES. ONCE THE LIGHTING SHOWS ARE TRANSFERRED TO THE INTERFACE, THEY CAN BE TRIGGERED BY AN EXTERNAL CONTROL KEYPAD, BY THE INTERNAL CLOCK/CALENDAR, OR SIMPLY FOLLOWING A PREPROGRAMMED SEQUENCE. SIMPLE FOR ANYONE TO USE, NO COMPUTER OR SPECIAL LIGHTING PROGRAMMING SKILLS ARE REQUIRED TO START USING THIS SOFTWARE.

ITEM#: IL-M-STANDALONE



IMPACT LIGHTING INC. DMX ADVANCED CONTROLLER FOR LIGHTING CONTROL SOFTWARE

WITHOUT DOUBT, IMPACT LIGHTING INC DMX WORLD STANDARD CONTROLLER IS THE WORLD'S MOST COMPLETE LIGHTING CONTROL PACKAGE THESE DAYS. OUR PRODUCTS HAVE CONTINUED TO EVOLVE DURING THE PAST FEW YEARS AND HAVE BECOME A STANDARD IN LIGHTING CONTROL SOFTWARE. NO MATTER WHAT YOU'RE LOOKING AT (ARCHITECTURAL INSTALLATIONS, DISCOTHEQUES, SOUND & LIGHTING, THEATRE, CONCERTS, ETC.) IMPACT LIGHTING INC WILL DEFINITELY MEET YOUR EXPECTATIONS.

OUR SOFTWARE CAN BE USED ALONG WITH IMPACT LIGHTING INC'S DMX CONTROLLER, PARTICULARLY USEFUL FOR LIVE APPLICATIONS. MOREOVER, LIGHTING SCENES CAN BE QUICKLY SYNCHRONISED WITH MUSIC AND VIDEO USING OUR EASY SHOW SOFTWARE AND, IF NECESSARY, A TIME CODE SIGNAL FOR SOUND & LIGHTING. SCENES CAN ALSO BE TRIGGERED BY THE COMPUTER'S CLOCK/CALENDAR (MUSEUMS LOVE THIS)... THE POSSIBILITIES ARE ENDLESS!

SYSTEM REQUIREMENTS

- PC WITH 1,6 GIGAHERTZ OR HIGHER PROCESSOR CLOCK SPEED RECOMMENDED; 1 GHZ MINIMUM REQUIRED (SINGLE OR DUAL PROCESSOR SYSTEM)
- WINDOWS XP OR VISTA (32BITS)
- 1 GIGABYTE (GB) OF RAM OR HIGHER RECOMMENDED (512 MB MINIMUM SUPPORTED)
- SUPER VGA (800 X 600) OR HIGHER-RESOLUTION VIDEO ADAPTER AND MONITOR
- 128 MB OF VIDEO RAM FOR THE 3D VISUALIZER (32 MB MINIMUM SUPPORTED)

ITEM#: IL-M-ADVANCE



CONTROLLERS



IMPACT LIGHTING INC'S AURORA DMX

With just a few clicks, you could change the shape of all buttons: scenes, pages, power, select, fader as well as customizing colors, background picture and logos...

At the end, there will be over 50 millions design possibilities. You can save your designs and make them available for other users.

Once the JPG 300 dpi image has been downloaded and printed you can install it under the Intelligent glass panel.

SPECIFICATION:

Touch sensitive control panel, State of the art design and technology, Flash memory card (miniSD), virtually unlimited capacity, 512 DMX OUT channels, Integrated clock/calendar, Built-in microphone, USB 2.0 connection, ETHERNET ready, RS 232, Optional remote control



ITEM #: IL-DMX-INTELLIGENT

6 WAY DMX DISTRIBUTION

FEATURES:

- DMX distributor with one input and 6 output.
- Absolutely electric isolation between input and output, or between output and output.
- Every DMX output features a independent driver, data + & data - indicator.
- DMX switch is incorporated allowing to isolate from the malfunction caused by DMX input.
- Input and output with a set of power supply respectively and 1A fuse.

6 WAY ISOLATED DMX SPLITTER-WALLMOUNT

SPECIFICATIONS:

POWER INPUT	12-24VDC
DATA IN & THRU	3-PIN TERMINAL SOCKET
OUTPUT	6PCS OF 3-PIN TERMINAL SOCKETS
HOUSING	POLYCARBONATE
IP RATING	IP20
CONTROL	DMX 512 (1990)
LISTING	CE CERTIFIED
OPERATION TEMPERATURE	-10 °C TO + 50 °C
STORAGE TEMPERATURE	-20 °C TO + 70 °C
WEIGHT	0.25 KG
DIMENSION	195(L) X 110(W) X 22(H)MM



ITEM #: IL-DD-6WM

R85PRO RS232 RELAY CONTROLLER: 8-CHANNEL 5 AMP SERIAL RELAY CONTROLLER

The R8x Pro series offers more commands, on-board memory, E3C compliance and emulation of the original R8x relay controllers. Marked improvements include a powerful command set, fewer components, and more powerful two-way communication command set.

New memory features allow you to store the default on/off status of all relays when power is first applied to the board. In addition, the current relay activation pattern can be stored and recalled into 16 different memory banks. A new timer function was added to activate one or more relays for controlled periods of time.



ITEM #: IL-R85PRO-RELAY

CONTROLLERS



6 WAY DMX DISTRIBUTION

FEATURES:

- DMX distributor with one input and 6 output.
- Absolutely electric isolation between input and output, or between output and output.
- Every DMX output features a independent driver, data + & data - indicator.
- DMX switch is incorporated allowing to isolate from the malfunction caused by DMX input.
- Input and output with a set of power supply respectively and 1A fuse.

6 WAY DMX SPLITTER

SPECIFICATIONS:

POWER INPUT	AC 120V~60HZ / AC 230V~50HZ
DATA IN & THRU	3-PIN / 5-PIN XLR MALE SOCKET
OUTPUT	6PCS OF 3-PIN / 5 PIN XLR FEMALE SOCKET
HOUSING	SHEET METAL WITH POWDER PAINTING
IP RATING	IP20
CONTROL	DMX 512 (1990)
LISTING	CE CERTIFIED
OPERATION TEMPERATURE	-10 °C TO + 50 °C
STORAGE TEMPERATURE	-20 °C TO + 70 °C
WEIGHT	2 KG
DIMENSION	19" X 1U (482 X 125 X 44 MM)



ITEM #: IL-DD-6

IMPACT™ -96-DMX CONTROLLER

FEATURES:

- 1.07 billion (30 bit) RGB color mixing
- Assign individual addresses to each IMPACTSTAR®-RGB-DMX lamp.
- 20 built-in color-changing programs
- Control 96 devices (lamps, IMPACT™ -96-DMX controllers, or IMPACT™ Repeaters™)
- Use Star Orchestra™ 3.02, a Windows-based software program, to create color-changing programs
- DMX compatible, with auto-detection, when the IMPACT™ -96-DMX is connected to a DMX controller
- Use the IMPACT™ Repeater™ to connect an additional 32 devices. Multiple IMPACT™ Repeaters™ can be used.



IMPACT™ REPEATER™



Electrical Specifications

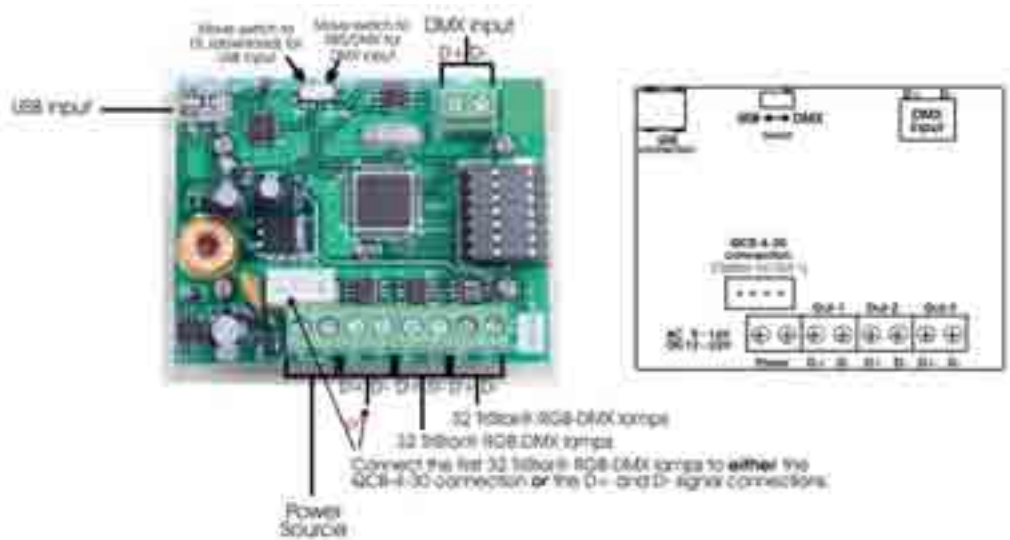
Parameter	Value
Electronic Specifications	
Power Supply	9 ~ 16VAC
Volta ge	12 ~ 22VDC
C urrent	< 500mA
Communication Interfaces	DMX and USB
Fan-Out Drive	3 x up to 32; 96 total devices
Interface Specifications	
Display	8 x 2 Text Mode LCD
Input Interface	5 Function Keys/IR receiver/Power
Built-in Programs	20
Environment Specifications	
Opera tion Temperature	0~ 50°C
Stora ge Temperature	-20~ 60°C
Hum idity	10~ 90%
Dimensions	127 x 77 x 43mm
Weight	150 g

CONTROLLERS



IMPACT™ -96-DMX CONTROLLER

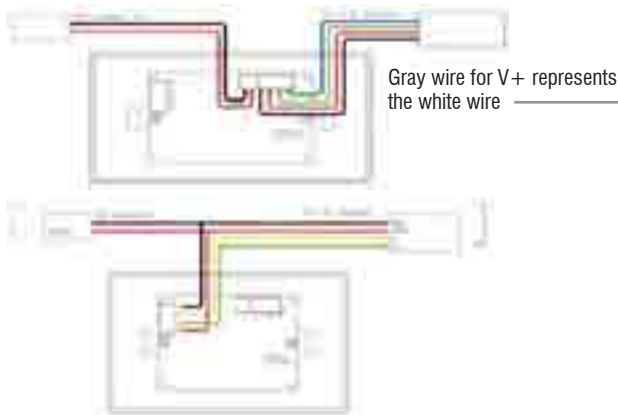
INPUT AND OUTPUT CONNECTIONS



PAVO™ -DIAL-DMX 12V CONTROLLER

- The user-friendly IMPACT-DIAL-DMX controller is now available for 12VDC RGB lamps.
- Single lamp RGB LED color-changing lighting system controller.
- 7 mode settings for single colors and color-changing patterns.
- Four positions: Function, Speed, Brightness and Contrast for easy operation.
- Three-channel DMX output: Ch. 1 (R), Ch. 2 (B), Ch. 3 (G).

A. CONNECTION DIAGRAM FOR AN RGB LED FIXTURE.



Electronic Specifications	
Driver Capacity	(R+G+B) 4A, 100W@24V
Input Voltage	12VDC
Driver Out	R/G/B, VDD
DMX Output	Standard DMX-512, 3 channels, ID = 1, 2, 3 (R/G/B)
Terminal block	3.81mm pitch, screw type (7A)
Interface Specifications	
Functions	R/G/B/White/Fade 1/Fade 2/Random Flash
Input Interface	Speed/Brightness/Contrast: 32 levels
Memory	Last mode is set to memory after the controller is turned OFF for 5 seconds.
Environment Specifications	
Operation Temperature	0~50°C
Storage Temperature	-20~60°C
Humidity	10~90%
Dimensions	4.72" x 2.75" x 3.30"
Weight	95 g



CONTROLLERS



IMPACTSTAR®-RGB-DMX AND IMPACT™-96-DMX

ImpactStar® RGB-DMX lamps are individually addressable with separate IDs, thus providing a wide-range of color-changing effects when controlled by the IMPACT™-96-DMX Controller.

FEATURES

- 5W ImpactStar® RGB LED lamps
- Assign an individual ID address to each lamp
- 10 built-in color-changing programs
- Control up to 96 ImpactStar®-RGB-DMX lamps with the IMPACT™-96-DMX Controller and ImpactStar® IR Remote Controller
- Connect more lamps using the PAVO™-Repeater
- Min. 70% lumen maintenance after 35,000 hours
- Low power consumption
- The IMPACTSTAR®-RGB-DMX lamps can be connected directly to and controlled by a standard DMX controller



SPECIFICATIONS - IMPACT™-96-DMX

ELECTRICAL:

Power Supply: 8 ~ 17VAC
Voltage: 9 ~ 19VDC
Current: <500mA

COMMUNICATION

Interface: RS485 and DMX
Fan-Out Drive: 96 devices max.

INTERFACE:

Display: 8 x 2 Text Mode LCD
Input Interface: 6 Function Keys / IR receiver
Built-in Programs: 10

ENVIRONMENT:

Operation Temperature: 0~50°C
Storage Temperature: -20~60°C
Humidity: 10~90%
Dimensions: 127 x 76 x 42mm
Weight: 0.3kg

IMPACT™ REPEATER™



Use the PAVO™ Repeater to connect additional TriStar®-RGB-DMX lamps.

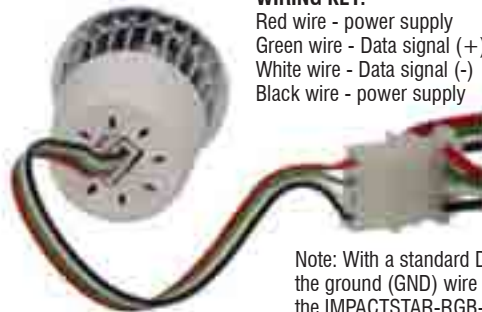
QUICK CONNECTION 4-PIN CABLE BUS

Use the QCB-4-30 to quickly connect the IMPACTSTAR-RGB-DMX lamps.



WIRING KEY:

Red wire - power supply
Green wire - Data signal (+)
White wire - Data signal (-)
Black wire - power supply



Note: With a standard DMX controller the ground (GND) wire is not used with the IMPACTSTAR-RGB-DMX system.

CONTROLLERS



4 CHANNEL LOW VOLTAGE RELAY RECIEVER

RECEIVES WIRELESS SIGNALS FROM OUR WIRELESS LIGHT SWITCHES AND MAGNETIC CONTACTS. CAN BE USED AS A RELAYNOR A MOMENTRY SWITCH.

4 OR 8 CHANNEL LOW VOLTAGE RELAY RECEIVER

ITEM#: IL-RWS-4 RELAYS



8 CHANNEL LOW VOLTAGE RELAY RECIEVER

RECEIVES WIRELESS SIGNALS FROM OUR WIRELESS LIGHT SWITCHES AND MAGNETIC CONTACTS. CAN BE USED AS A RELAYNOR A MOMENTRY SWITCH.

4 OR 8 CHANNEL LOW VOLTAGE RELAY RECEIVER

ITEM#: IL-RWS-8 RELAYS



HAND HELD WIRELESS AND BATTERILESS SWITCH FOR CONTOLLING 4 AND 8 RELAY TRIGGERS

AVAILABLE IN BLACK AND WHITE
SIZE: 3" X 2"

ITEM#: IL-TRIG-02



WIRELESS AND BATTERILESS SWITCH FOR CONTOLLING 4 AND 8 RELAY TRIGGERS

WALL MOUNT WIRELESS 4 OR 8 CHANNEL LOW VOLTAGE RELAY RECEIVER.

AVAILABLE IN BLACK AND WHITE
SIZE: 2.75" X 4.25"

ITEM#: IL-TRIG-1



WIRELESS AND BATTERILESS WALL MOUNT TOGGLE SWITCH FOR CONTROLLING ONE RELAY TRIGGER

A ON AND OFF TOGGLE SWITCH.
SIZE: 2.75" X 4.25"

ITEM#: IL-WM-TS



KEYPAD FOR TRIGGERING DMX AND NON DMX SHOWS

THIS KEYPAD PROVIDES A VISUALLY APPEALING WAY TO GET NUMERIC DATA TO YOUR CONTROL SYSTEM. THE BOARD IS A SERIES OF PUSHBUTTON SWITCHES THAT PROVIDE INPUT FOR DMX AND NON DMX APPLICATIONS.
SIZE: 2.75" X 4.25"

ITEM#: IL-KEY-01

CONTROLLERS



WIRELESS DMX

WIRELESS DMX RECEIVER

RECEIVES DMX SIGNAL FROM DMX TRANSMITTER AND SENDS TO DMX TO ENABLE LED LIGHT FIXTURE. COMES WITH POWER SUPPLY.

ITEM#: IL-DMX-REC-1



WIRELESS DMX TRANSMITTER

TRANSMIT DMX SIGNAL FROM DMX RECEIVER. COMES WITH POWERSUPPLY.

ITEM#: IL-DMX-TRANS-2



MINIATURE DIMMER

FOR LIMITED SPACE AND HAND-CARRIED APPLICATIONS

FEATURES

- ULTRAMINIATURE SIZE FOR EASY SITING IN HAND-CARRIED EQUIPMENT.
- HIGH EFFICIENCY MINIMIZES BATTERY DRAIN AND WASTE HEAT
- OUTPUT VOLTAGE CONTINUOUSLY ADJUSTABLE BETWEEN ZERO AND FULL, WITH PARTIAL RANGES AVAILABLE
- MINUSCULE NO-LOAD CURRENT (ABOUT 1MA)
- VERSIONS FOR 6, 12, AND 24V BATTERY SUPPLIES AT SAME PRICE
- DRIVES INCANDESCENT AND LED LIGHTS, HEATING ELEMENTS

APPLICATIONS

- MOBILE LIGHTING WHERE INSTALLATION SPACE IS LIMITED
- INSTRUMENT PANELS
- LANTERNS AND OTHER HAND CARRIED USES
- WALL MOUNT

ACCESSORIES

- WALL MOUNT PLATE (DIFFERENT COLORS AND FINISHES ARE AVAILABLE)

ITEM#: IL-DIMMER-1



IMPACT LIGHTING INC. METER & POWER ANALYZER

IMPACT LIGHTING WATT METER MEASURES AND CALCULATES ALL THE ELECTRICAL PARAMETERS YOU NEED TO GET HIGH PERFORMANCE FROM YOUR LED PRODUCTS. IT IS ESSENTIAL FOR INCREASING THE PERFORMANCE AND SAFETY OF YOUR LED PRODUCT. WITH THE BEST BALANCE OF SPECIFICATIONS AND FEATURES ON THE MARKET.

IDEAL FOR PROFESSIONAL LED INSTALLER. DESIGNED TO HELP YOU SPECIFY THE RIGHT POWER SUPPLY FOR YOUR PROJECT.

ITEM#: W-100